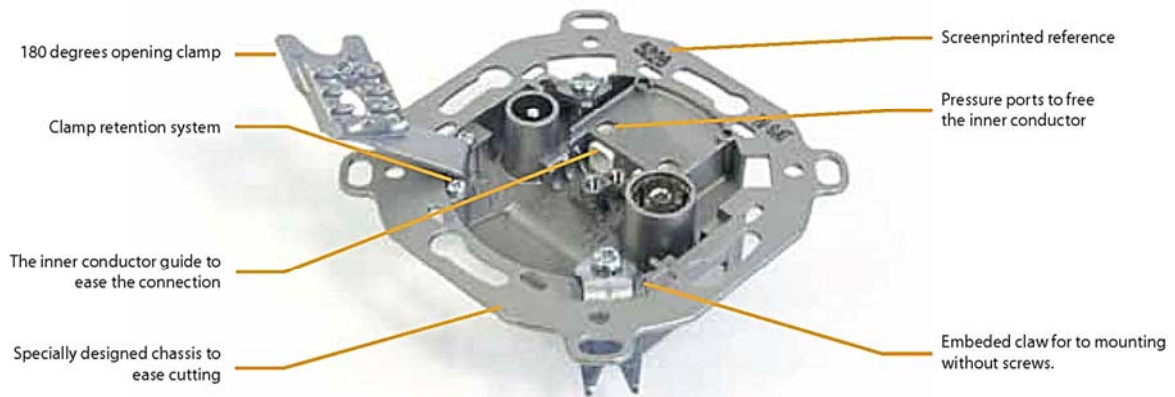


General technical features



- ▶ A simple push is enough to connect the inner conductor, no screws needed.
- ▶ Allows the visualization of the connection.
- ▶ Support an inner conductor with diameters ranging from Ø 0,65 to Ø 1,2 mm.
- ▶ Support an outdoor cable with a diameter ranging from Ø 5 to Ø 6.9 mm.
- ▶ Compliant with the European guidelines 2004/108/CEE and 2006/95/CEE.
- ▶ The outlets with data connection are compatible with DOCSIS 3.0

Terminal outlets



QR-A00121

REF.	DESCRIPTION		
5232	End outlet	5...1000 MHz	TV-FM
5226	End outlet	5...2150 MHz	TV/FM-SAT
522610	End outlet	5...2150 MHz	TV (790)/FM-SAT
524605	End outlet	5...2200 MHz	TV-FM-SAT
5250	End outlet	5...2150 MHz	TV-FM-SAT/DATA
5270	End outlet bridged		



▲ 5226

Ref.	Connector	Band MHz	Tap losses (dB)					DC current through (350 mA)
			Return 5...65	FM 87,5...108	VHF 125...470	UHF 470...862 470...790*	IF SAT 950...2150 2150...2400	
524605	⊙	TV	< 8		4,5		> 9	-
	⊕	FM	< 8		4,5		> 9	-
	⊗	SAT	> 8		> 6		1,5	SAT→IN
5250	⊙	TV	-	-	< 5		-	-
	⊕	FM	-	< 10	-		-	-
	⊗	SAT	< 4,5	< 3,8	< 5		< 6,5	SAT→IN
5232	⊙	TV	0,5	-	0,5		-	-
	⊕	FM	-	3	-		-	-
5226/ 522610*	⊙	TV/FM			0,6		-	-
	⊕	SAT			-		1,5	SAT→IN
5270	⊙	FM/TV/SAT				< 2		All
	⊕	FM/TV/SAT				< 2		

⊙ Female connector CEI ⊕ Male connector CEI ⊗ F Female Connector